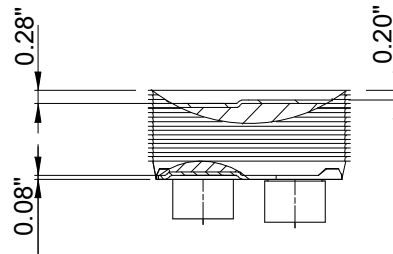
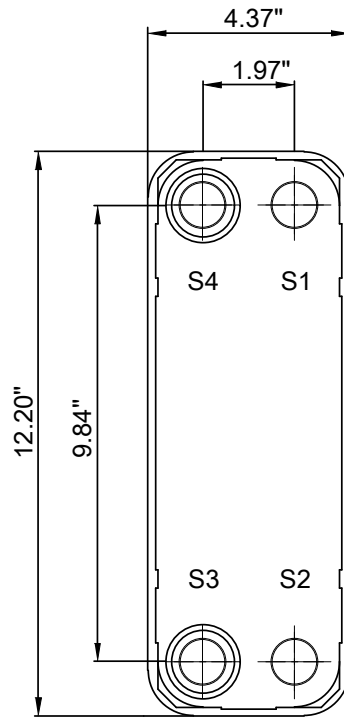
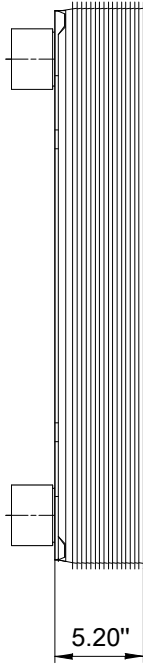
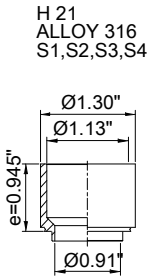


Note that all unique customer requirements (i.e tolerance) need to be verified thru Alfa Laval.



Frameplate is depressed 0.08 inches at connection S3/S4  
Pressureplate is depressed 0.08 inches / even number of channel plates  
at connections T3/T4 / uneven number of channel plates at  
connections T1/T2.

T1 T2 T3 T4 locations on back side  
correspond to S1 S2 S3 S4 on front side

HEATING SURFACE ft<sup>2</sup>  
NETWEIGHT 17.0 lb  
OPERATING WEIGHT lb  
PLATE MATERIAL ALLOY 316  
PLATE GROUPING 1\*24H/1\*25H

ALL DIMENSIONS IN INCHES

SIDE	MEDIA	INLET	TEMP.	OUTLET	TEMP.	FLOW RATE	PRESSURE DROP	LIQUID VOL.
1	Water	S1	°F	S2	°F	lb/h	psi	0.04 ft <sup>3</sup>
2	Water	S3	°F	S4	°F	lb/h	psi	0.04 ft <sup>3</sup>

PRESSURE VESSEL APPROVAL

PED/CRN

AlfaNova 27-50H (3287000885)

www.alfalaval.com

CUSTOMER NAME / REF. NO.

COMPANY / REF.  
Alfa Laval Nordic AB  
Alfa Laval Inc.

TOTAL LENGTH 6.1 in  
TOTAL WIDTH 4.4 in  
TOTAL HEIGHT 12.2 in



8/25/2021  
REV 0